



Centrifugal Pump – Hot Fluid



What is a End Suction Hot Fluid Pump?

End suction hot fluid pumps are engineered specifically for industrial applications that involve high-temperature operations. These pumps are designed to ensure the safe, efficient, and reliable transfer of hot liquids. The coupling connection between the motor and the pump simplifies installation and disassembly, significantly enhancing maintenance efficiency.

Technical Specifications:

- 1. Operating Temperature:** Designed to withstand high temperatures, typically up to 350°C.
- 2. Material Options:** Constructed using wear-resistant alloys and high-grade stainless steel to ensure durability and performance under extreme conditions.
- 3. Flow Range:** Available in variable flow capacities to meet diverse operational needs.
- 4. Pressure Capacity:** Built to handle high pressure, ensuring safe and stable performance in demanding environments.

At **Arnous Co.** we are committed to providing high-performance, dependable hot fluid pump solutions tailored to the needs of our customers.

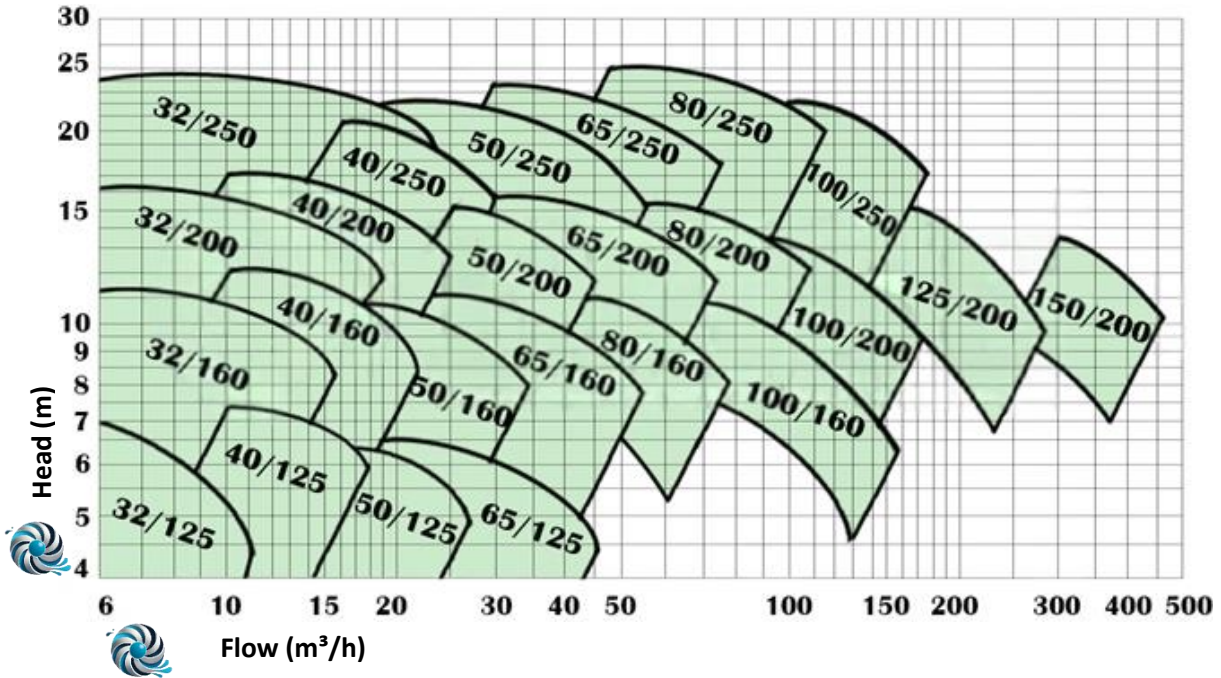


GENERAL PERFORMANCE CURVES	
Head Range	Up to 10 bar
Flow	Up to 500 m ³ /h
Temperature	(+350)
Viscosity	0-50 CP

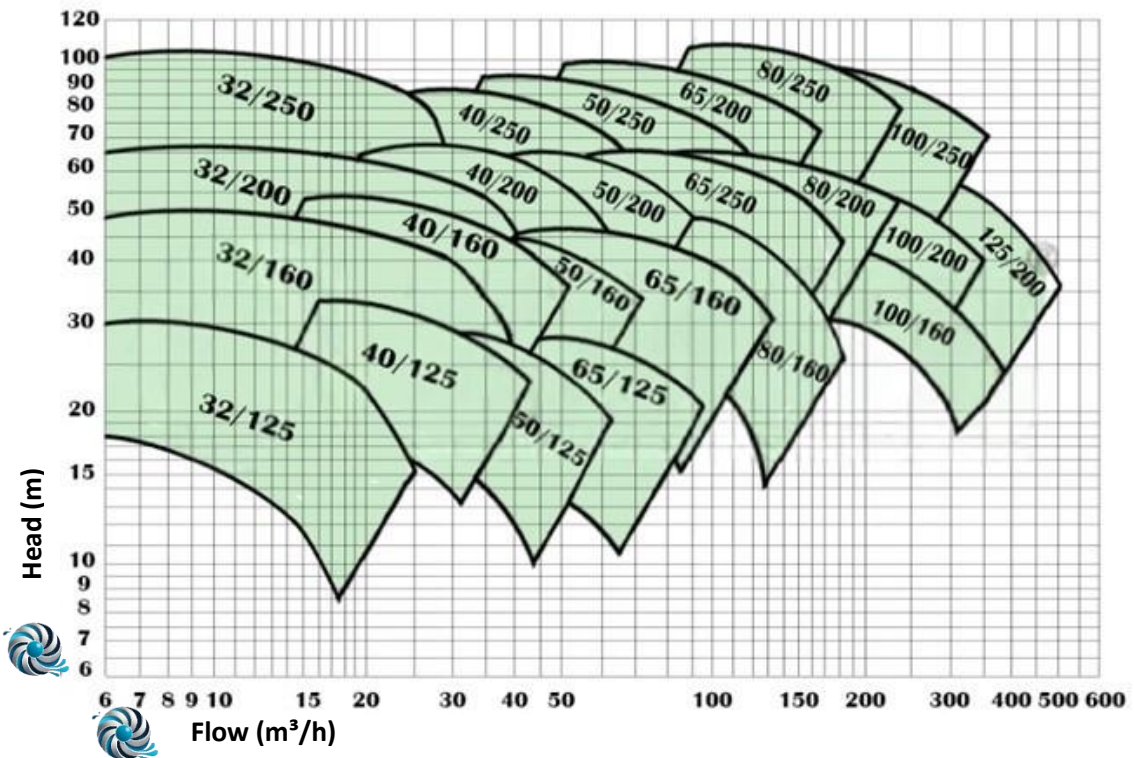
Area of Use	Description
Oil and Gas Sector	Used in hot oil, oil refining, and gas processing facilities.
Chemical Industry	Used in chemical production processes, reactors, and heating systems.
Food Processing	Used in food processing facilities, for transferring oils and other fluids.
Construction Sector	Used in heating and cooling systems in buildings.
Energy Production	Used in thermal power plants for heat transfer.
Automotive	Used in systems for transferring hot oil in engines and transmissions.
Metal Processing	Used in heating and cooling processes in metalworking.



1450 RPM 50HZ CURVE

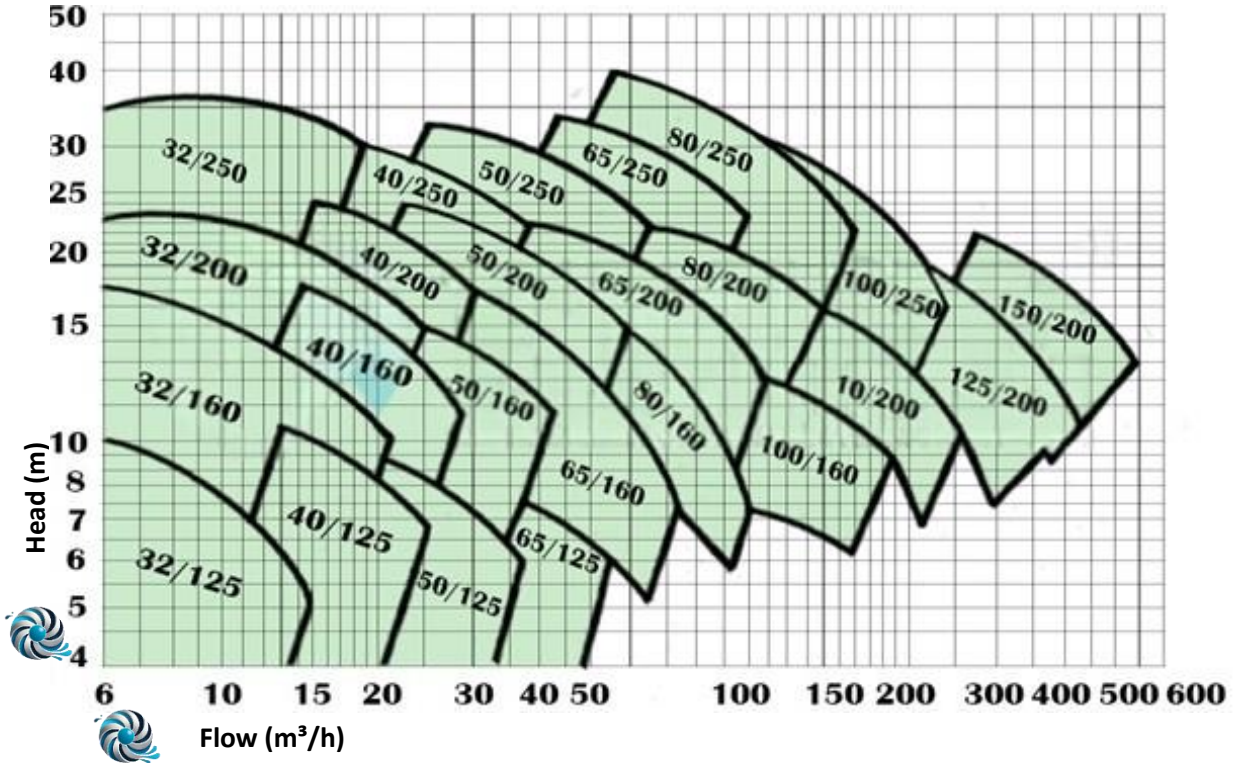


2900 RPM 50HZ CURVE

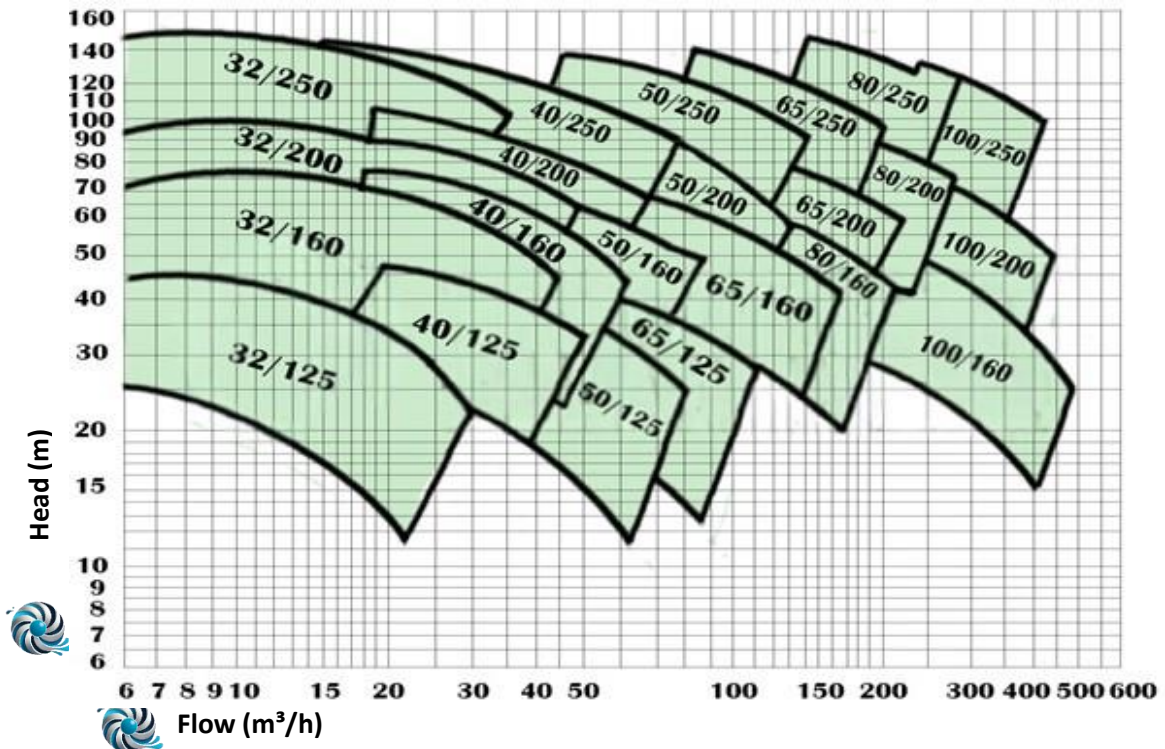




1750 RPM 60HZ CURVE

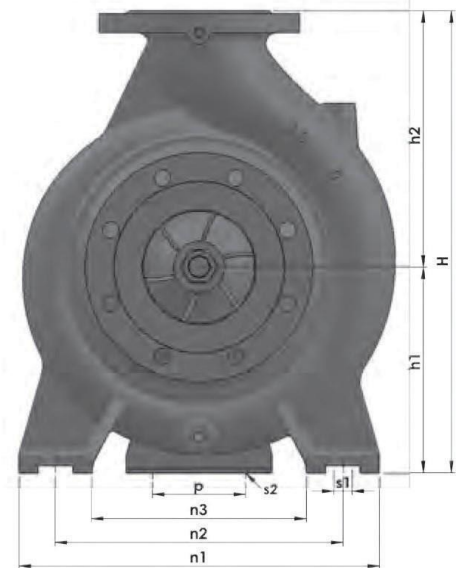
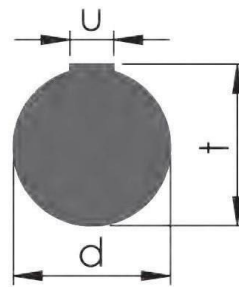
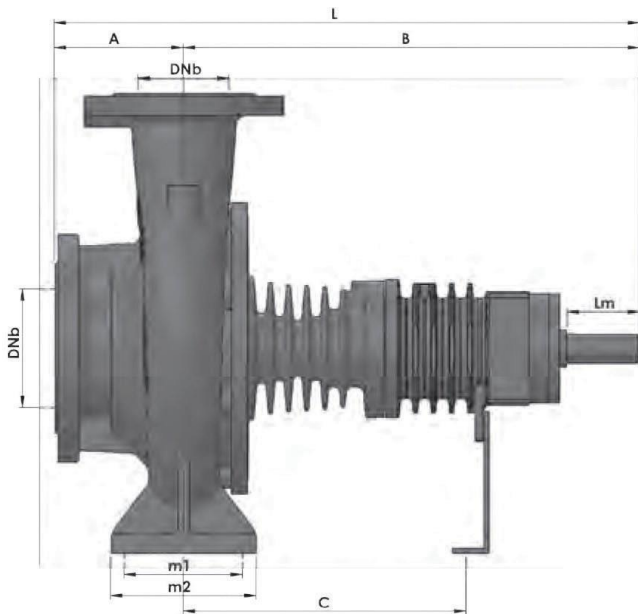


3500 RPM 60HZ CURVE





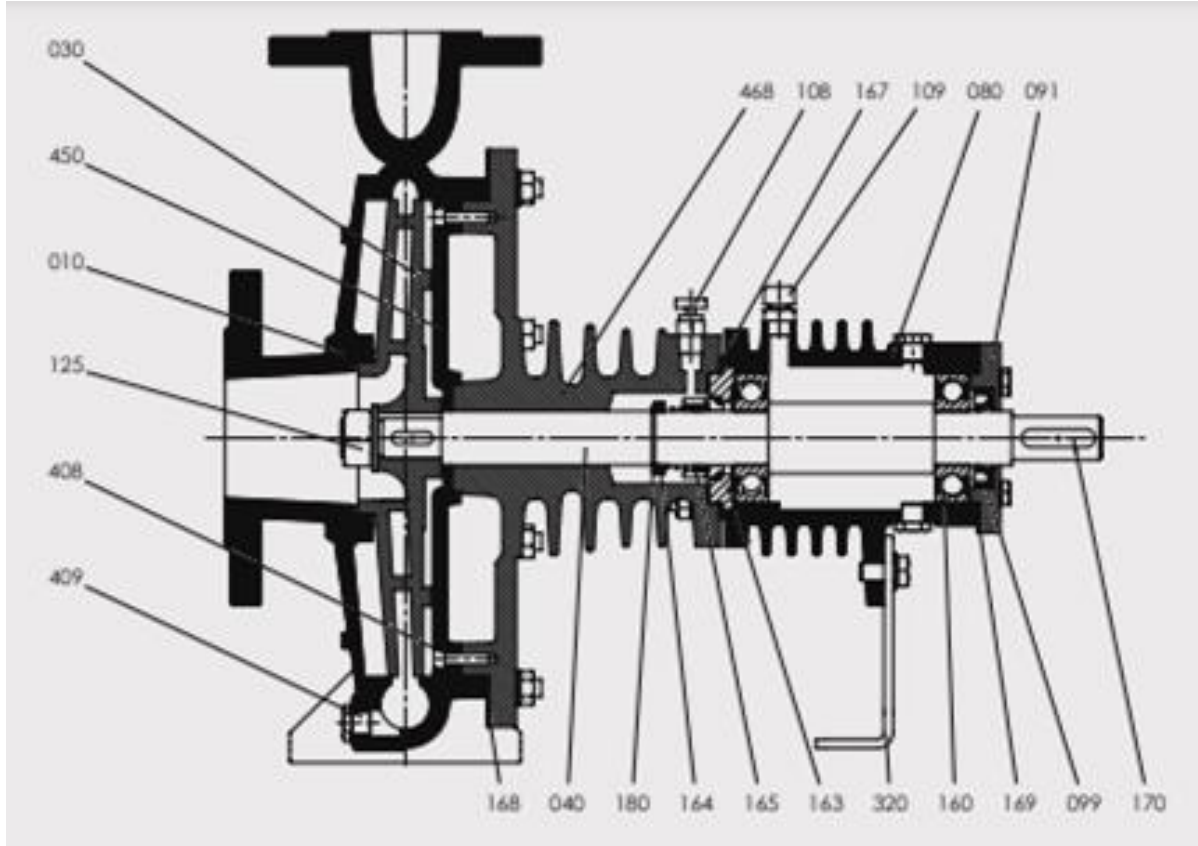
DIMENSIONS



	DN _e	DN _b	A	B	L	H	h1	h2	m1	m2	n1	n2	n3	s1	p	s2	C	d	Lm	u	Ag/We -KG		
EKY 32-125	50	32	82	391	473	252	112	140	105	81	220	160	110		110	14	252				30		
EKY 32-160			79	392	471	292	132	160	103		240		140	12			253					34	
EKY 32-200			80	386	466	340	160	180	102	79	244	190	135				248					39	
EKY 32-250			102	389	491	405	180	225	126	100	320	260	188	14			251					49	
EKY 40-125	65	40	80	391	471	252	112	140	100	79	208	160	110	13			252					32	
EKY 40-160			90	389	479	292	132	160	103	78	246	190	132				250					35	
EKY 40-200			100	388	488	340	160	180	102	77	270	214	158	12			250					40	
EKY 40-250			114	384	498	405	180	225	128	99	320	255	186	14			246	24	50	27	8	53	
EKY 50-125	100	50	100	390	490	292	132	160		100	77	240	190	140					251				35
EKY 50-160				385	495	340		180		75	268	214	160				245					38	
EKY 50-200			110	383	493	360	160	200	108	80	269	216	147	12			244					43	
EKY 50-250			101	387	488	405	180	225	124	97	316	248	176		249					56			
EKY 65-125	80	65	100	391		340	180	125	102	280	215	150	14	252						39			
EKY 65-160			108	383	491	360	160	200	127	100	282	214	144		245					42			
EKY 65-200			104	384	488	405	180	225	136	109	323	255	186	12	246					47			
EKY 65-250			100	502	602	450	200	250	160	125	365	278	195	18	314	32	80	35	10	76			
EKY 80-160	100	80	126	390	516	405		225		99	331	263	194	12	252	24	50	27	8	47			
EKY 80-200			130	499	629	430	180	250	126	102	345	280	201	16	312					73			
EKY 80-250			127	501	628				160	125	405	317	235	18	313	32	80	35	10	80			
EKY 100-160			120	399	519	480	200	280			126	363	278	193	18	261	24	50	27	8	68		
EKY 100-200	125	100	127	506	633				163	130	360	285	206	20	318					72			
EKY 100-250			142	502	644	505	225	280		126	395	315	235	18	314					85			
EKY 125-200			150	125	143	511	654	565	250	315	160	130	400	315	244	18	323	32	80	35	10	89	
EKY 150-200	200	150	162	513	675	635	280	355	204	158	513	403	293	20						135			



EXPLODED PICTURE



VOLUTE CASING	10	SALYANGOZ GOVDE
IMPELLER	30	ÇARK
SHAFT	40	MİL
BEARING HOUSING	80	RULMAN YATAĞI
BEARING COVER	91	RULMAN KAPAĞI
OIL SEAL	99	YAĞ KEÇESİ
AIR PURGE	108	HAVA PÜRJÖRÜ
AIR PLUG	109	HAVALANDIRMA TAPASI
NUT	125	SOMUN
BEARING	160	RULMAN
MECHANICAL SEAL COVER	163	MEKANİK SALMASTRA KAPAĞI
MECHANICAL SEAL SETTING SLEEVE	164	MEKANİK SALMASTRA MESAFE BURCU
MECHANICAL SEAL	165	MEKANİK SALMASTRA
MECHANICAL SEAL GASKET	167	MEKANİK SALMASTRA CONTASI
BODY SEAL	168	GÖVDE CONTASI
BEARING COVER GASKET	169	RULMAN KAPAK CONTASI
KEY	170	KAMA
SHAFT RING	180	MİL SEGMANI
SUPPORTING FEET	320	DESTEK AYAĞI
BOLT	408	CIVATA
DRAIN PLUG	409	BOŞALTIMA TAPASI
WEAR PLATE	450	AŞINMA PLAKASI
CASING COVER	468	GÖVDE KAPAĞI