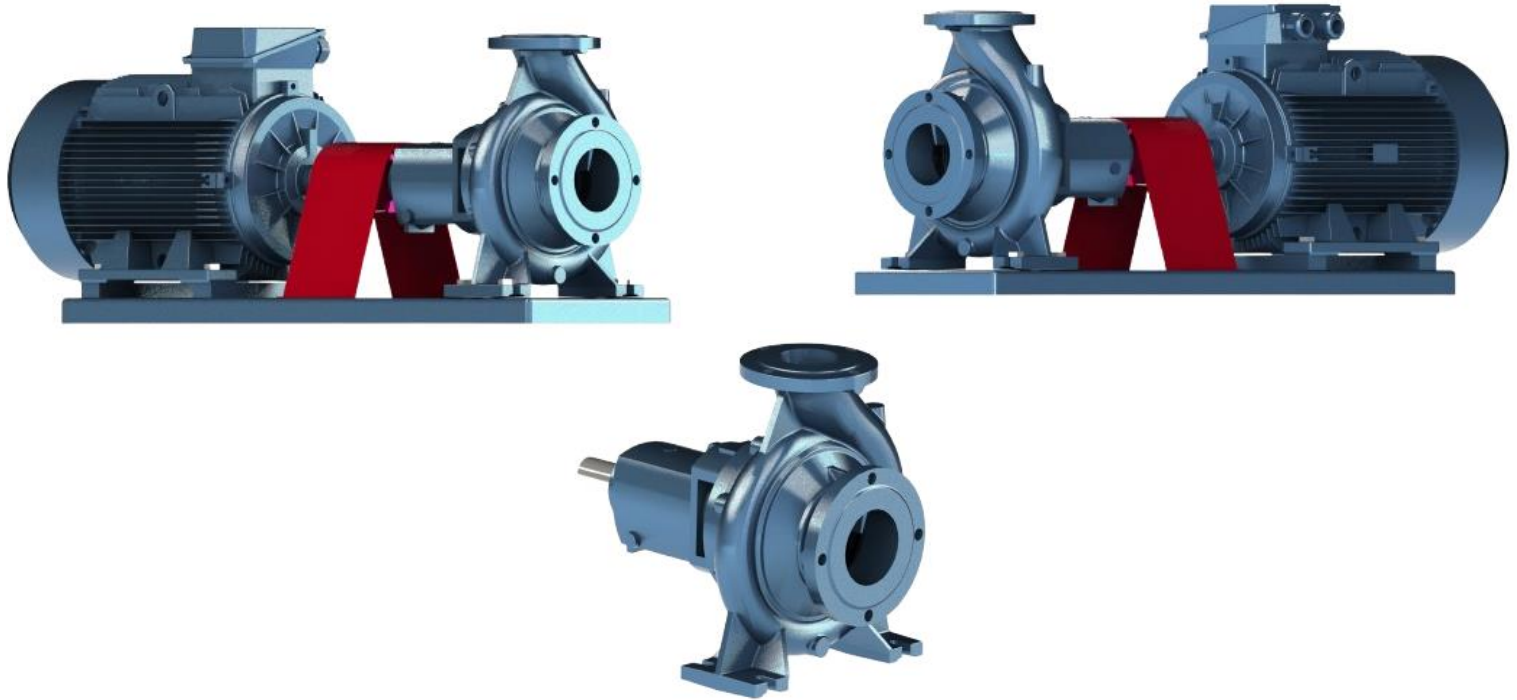




Centrifugal Pumps – Norm Pumps



End-Suction Coupling-Connected Centrifugal Pumps

Definition and Features:

End-suction coupling-connected centrifugal pumps are high-efficiency industrial pump systems designed for reliable liquid transfer across a wide range of applications. Featuring an end-suction design, these pumps are engineered to optimize both suction and pressurization. The coupling connection between the motor and pump enhances mechanical stability, effectively reducing vibration and ensuring smooth, efficient operation.

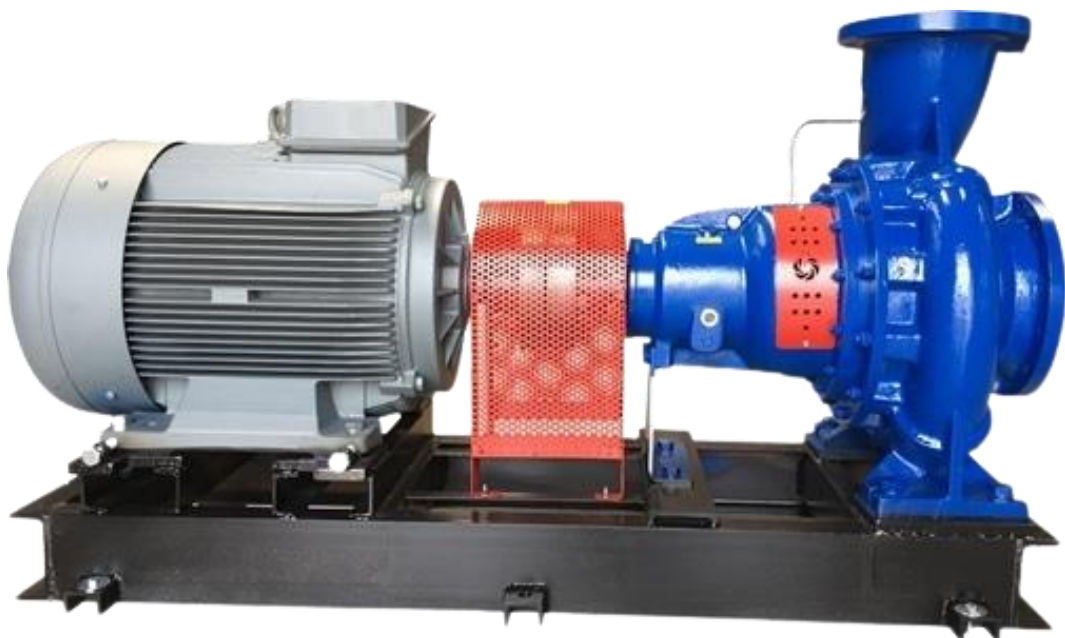
Key Advantages:

- 1. High Performance:** The end-suction configuration enhances fluid dynamics, enabling the pump to deliver superior flow rates and pressure levels.
- 2. Simplified Maintenance:** The coupling system allows for easy alignment, disassembly, and reassembly, significantly reducing downtime during maintenance procedures.
- 3. Exceptional Durability:** Constructed from high-grade materials, these pumps offer robust performance and extended service life, even in demanding industrial environments.
- 4. Energy Efficiency:** Engineered for minimal energy consumption, they provide an environmentally responsible solution with optimized power usage and reduced operating costs.



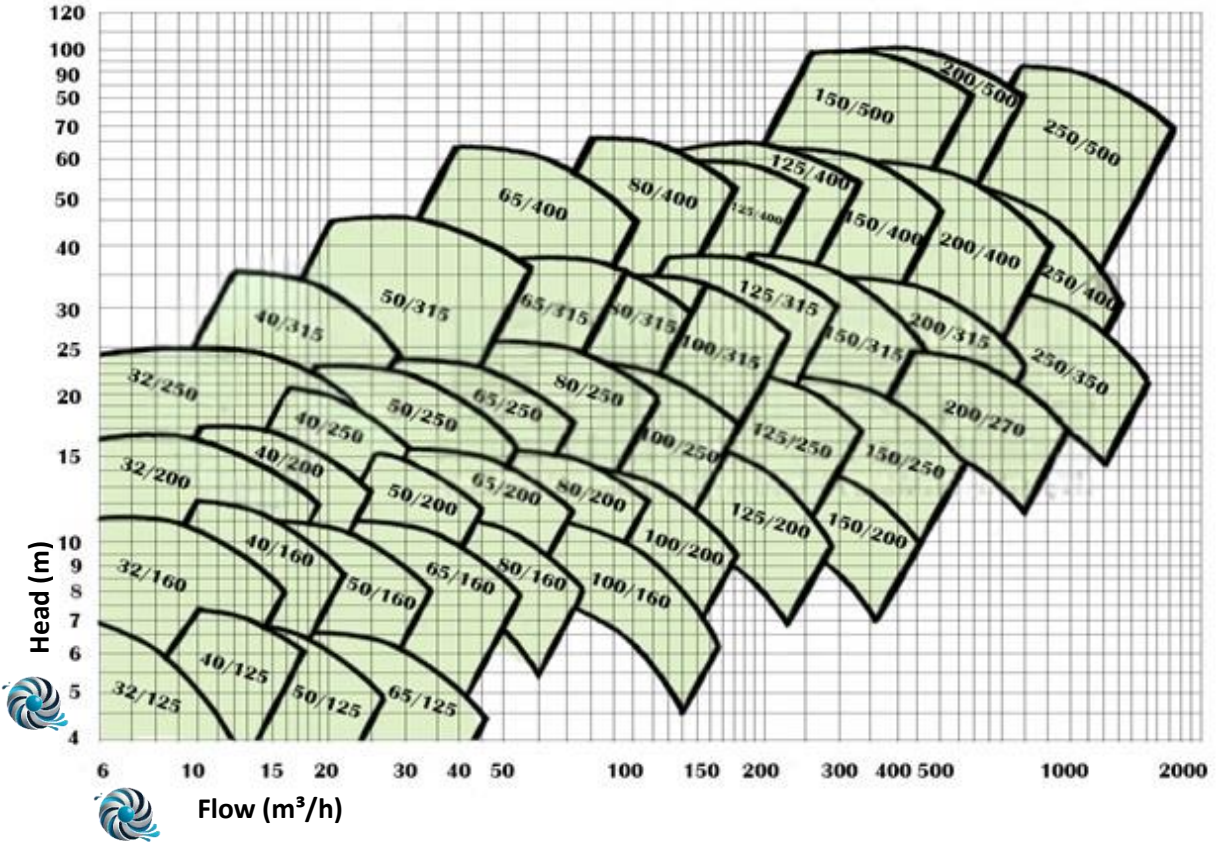
Area of Use	Description
Water Treatment Facilities	Used in wastewater and drinking water treatment.
Agriculture	Used for irrigation systems and transportation.
Industrial Applications	Used in the transfer of chemical liquids, acids, and bases.
Building Systems	Used in heating and cooling systems.
Energy Sector	Used in thermal plants for steam and fluid transport.
Food and Beverage	Provides hygiene solutions for the handling of food and beverages.

GENERAL PERFORMANCE CURVES	
Head Range	Up to 10 bar
Flow	Up to 1700 m ³ /h
Temperature	(-20) (+150)
Viscosity	0-50 CP

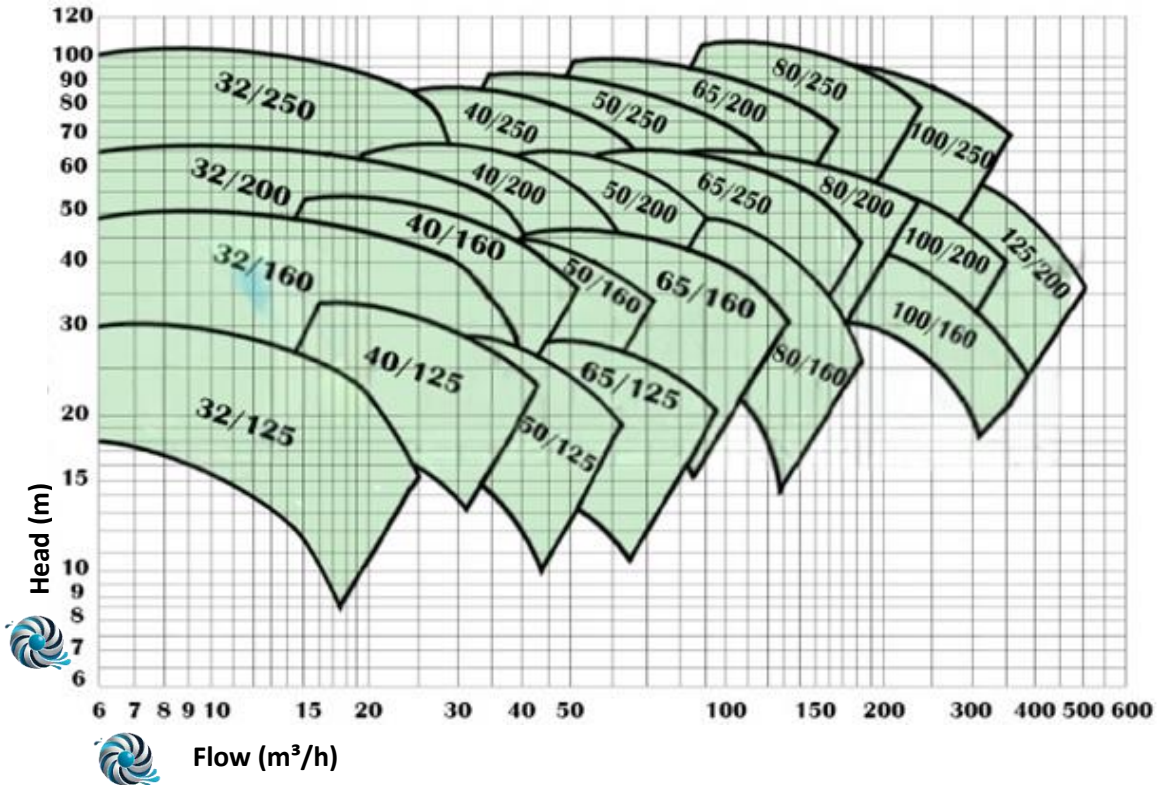




1450 RPM 50HZ CURVE

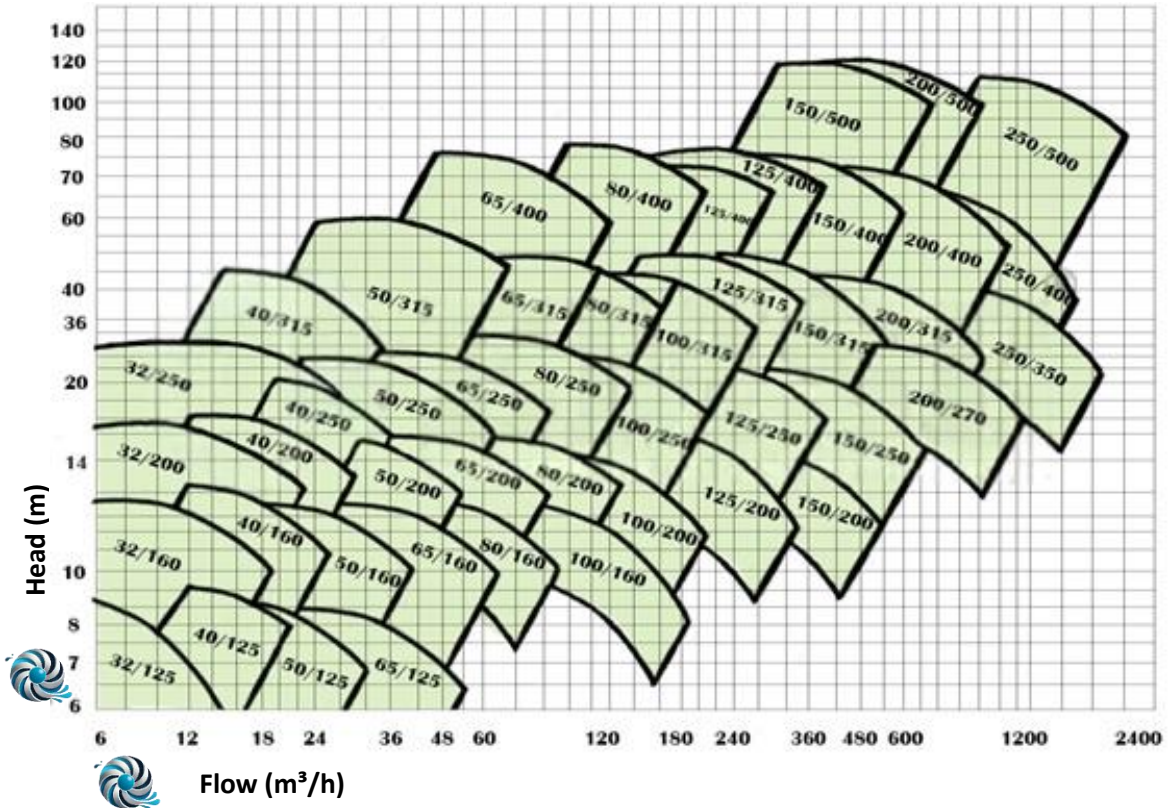


2900 RPM 50HZ CURVE

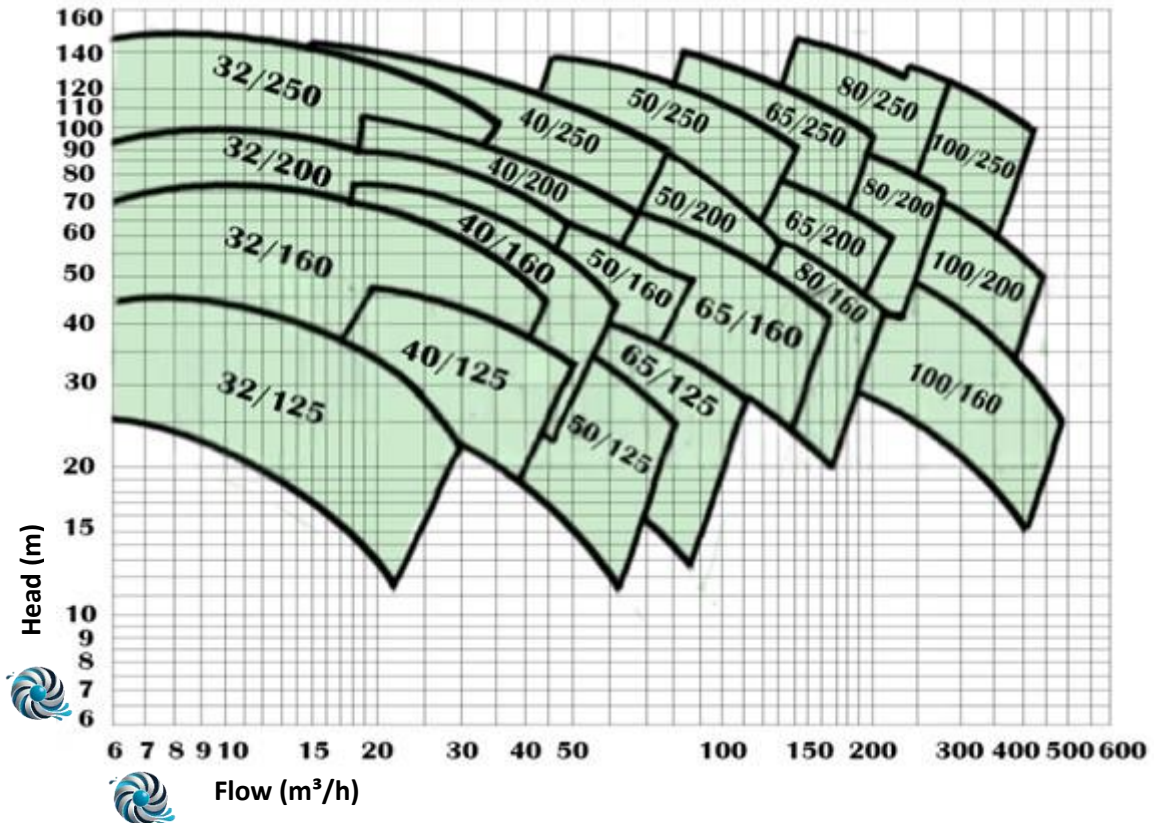




1750 RPM 60HZ CURVE

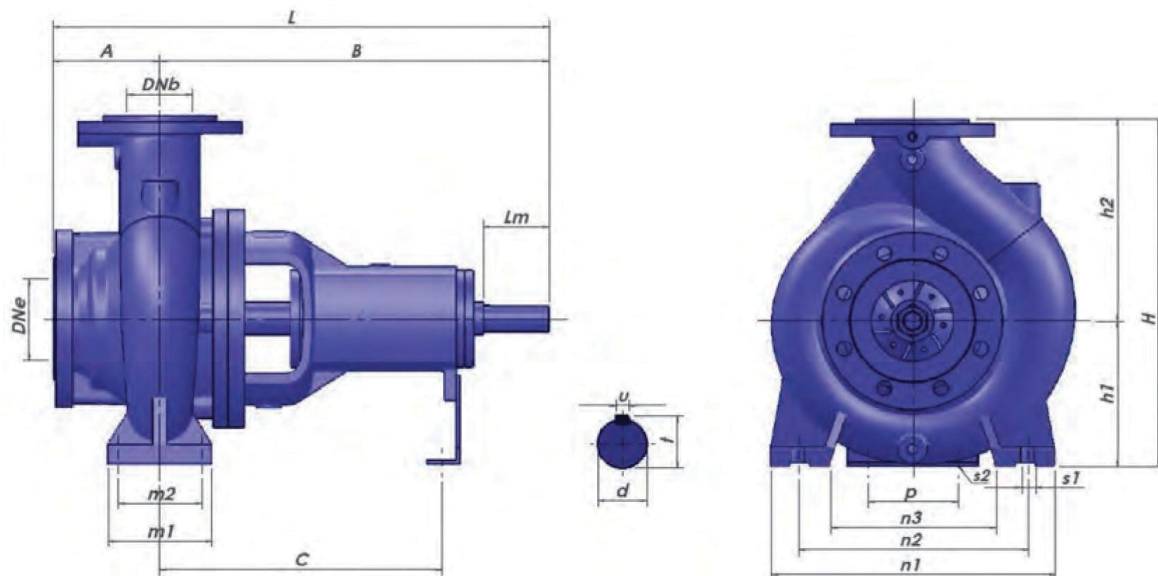


3500 RPM 60HZ CURVE





DIMENSIONS

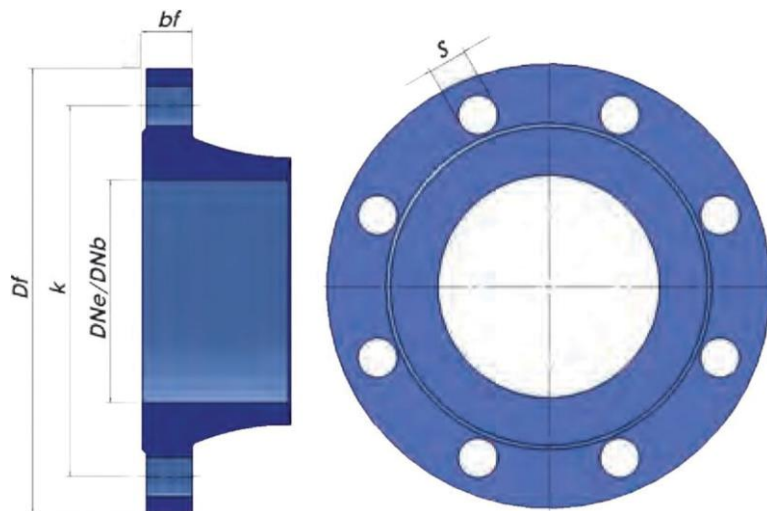


Tip/Type	DNe	DNb	A	B	L	H	h1	h2	m1	m2	n1	n2	n3	s1	p	s2	C	d	Lm	t	u	Ag/Wei- KG							
ENP32-125	50	32	82	347	429	252	112	140	105	81	220	160	110		110	14	221					28							
ENP32-160			79		425	292	132	160	103		240		140	12			231							32					
ENP32-200			80	346	426	340	160	180	102	79	244	190	135				239								40				
ENP32-250			102	354	456	405	180	225	126	100	320	260	188	14			239								50				
ENP40-125	65	40	80	356	436	252	112	140	100	79	208	160	110	13	110	14	230	28	40	31	8	33							
ENP40-160			90	342	432	292	132	160	103	78	246	190	132				228											34	
ENP40-200			100		448	340	160	180	102	77	270	214	158	12			234								40				
ENP40-250			114	348	462	405	180	225	128	99	320	255	186	14			234								54				
ENP40-315					465	565	450	200	250	127	100	348	280	188			16	334	32	80	35	10			74				
ENP50-125			50	50	100	356	456	292	132	160		77	240	190			140		110	14	230	28	40	31	8	36			
ENP50-160	338	448			340		180		75	268	214	160		223														43	
ENP50-200	110	342			452	360	160	200	108	80	269	216	147	12	228														58
ENP50-250	101	356			457	405	180	225	124	97	316	248	176		241														82
ENP50-315			125	474	599	505	225	280	126	99	348	280	184	16	342	32	80	35	10			82							
ENP65-125	80	65	100	356	456	340		180	125	102	280	215	150	14	110	14	230	28	40	31	8	39							
ENP65-160			108	338	446	360	160	200	127	100	282	214	144				223											41	
ENP65-200			104	344	448	405	180	225	136	109	323	255	186	12			230								48				
ENP65-250			100	475	575	450	200	250			365	278	195				343								76				
ENP65-315			128	471	599	505	225	280	160	125	405	315	231	18			340	32	80	35	10				87				
ENP65-400			125	472	597	615	260	355		130	435	355	375	16			340								115				
ENP80-160	100	80	126	344	470	405		225	99	331	263	194	12	110	14	230	28	40	31	8	46								
ENP80-200			130	474	604	430	180	250	126	102	345	280	201			16					343							72	
ENP80-250			127	477	604	480	200	280			405	317	235				346	32	80	35	10				81				
ENP80-315			126	474	600	565	250	315	160	125	404	315	233			18	342								100				
ENP80-400			125	531	656	635	280	355			440	355	270			14	344	42	110	45	12				148				



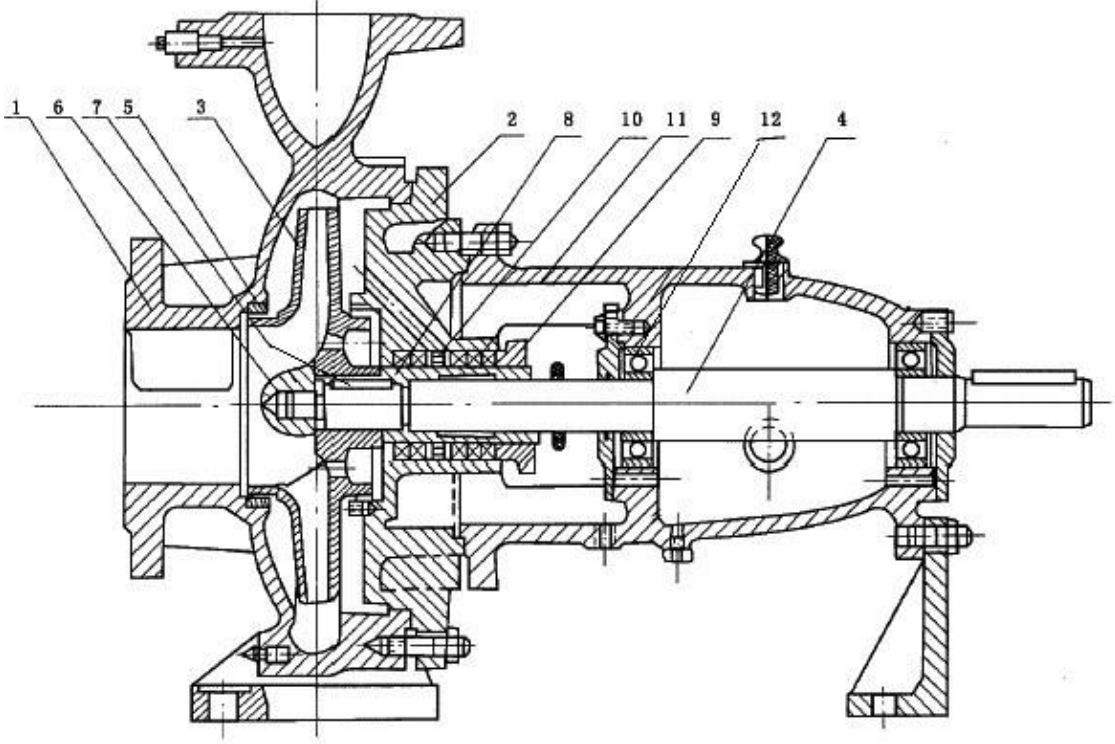
	Dne	DNb	A	B	L	H	h1	h2	m1	m2	n1	n2	n3	s1	p	s2	C	d	Lm	t	u	Ag/ Wei- KG			
ENP100-160	125	100	120	369	489	480	200	280	160	125	363	278	193	18	110	14	255	28	40	31	8	69			
ENP100-200			127	476	603	480			163	130	360	285	206	20			345	32	80	35	10	345	42	110	45
ENP100-250			142	475	617	505	225	160	126	395	315	235	18	343			86								
ENP100-315			140	473	613	565	250		315	124		401		229			107								
ENP100-400			147	528	675	635	280	355	200	155	505	399	293	20			341	190							
ENP125-200	150	125	143	476	619	565	250	315	160	130	400	315	244	18			110	14	344	32	80	35	10	87	
ENP125-250			137	477	614	605				355			125	232					16					346	101
ENP125-315			140	532	672	635	280	200	155	506	401	295	20	361					157						
ENP125-400			144	530	674	715	315			400	502	396		294					345	186					
ENP150-200			200	150	162	473	635	635	280	380	204	158	513	403					293	110	14	342	32	80	35
ENP150-250	474	634			660	400	205	159			515	291	343		150										
ENP150-315	532	532			680	400	155	200	154	560	450	340	24	361	166										
ENP150-400	530	530			765	315	450			22	344	42	110	45	12	195									

Pump Type	Suction (PN 16) / Emme						Discharge (PN 16) / Basma					
Pompa Tipi	Dne	Df	k	s	n	bf	DNb	Df	k	s	n	bf
32	50	165	125	18	4	20	32	140	100	18	4	18
40	65	185	145	18	4	20	40	150	110	18	4	18
50	65	185	145	18	4	20	50	165	125	18	4	20
65	80	200	160	18	8	22	65	185	145	18	4	20
80	100	220	180	18	8	24	80	200	160	18	8	22
100	125	250	210	18	8	26	100	220	180	18	8	24
125	150	285	240	23	8	26	125	250	210	18	8	26
150	200	240	295	23	12	30	150	285	240	23	8	26





EXPLODED PICTURE



No	Parça Listesi/Part List	Adet/Qty	Pik Döküm/Cast iron	Sfero Döküm/Nodular Cast iron	304	316	316L	Karbon Çeliği/Carbon Steel	Bronz/Bronze	PTFE	NBR
1	Gövde/Casing	1	X	X	X	X	X				
2	Salmastra yuvası/Casing Cover	1	X	X	X	X	X				
3	Fan/Impeller	1	X	X	X	X	X		X		
4	Mil/Shaft	1			X	X	X	X			
5	Aşınma halkası/Wear ring	1	X	X					X		
6	Fan somunu/ Impeller nut	1			X	X	X	X			
7	Kama/Key	2						X			
8	Burç/Sleeve	1			X			X	X		
9	Glen/Gland	1	X	X	X			X			
10	Salmastra /Seal	1								X	X
11	Rulman yatağı/Bearing house	1	X	X							
12	Rulman /Bearing	2					X				